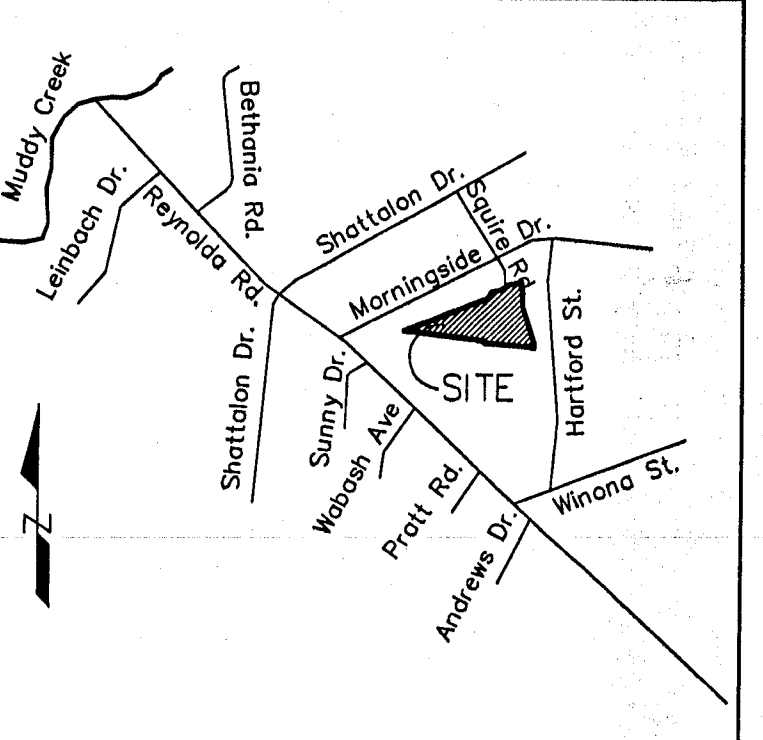
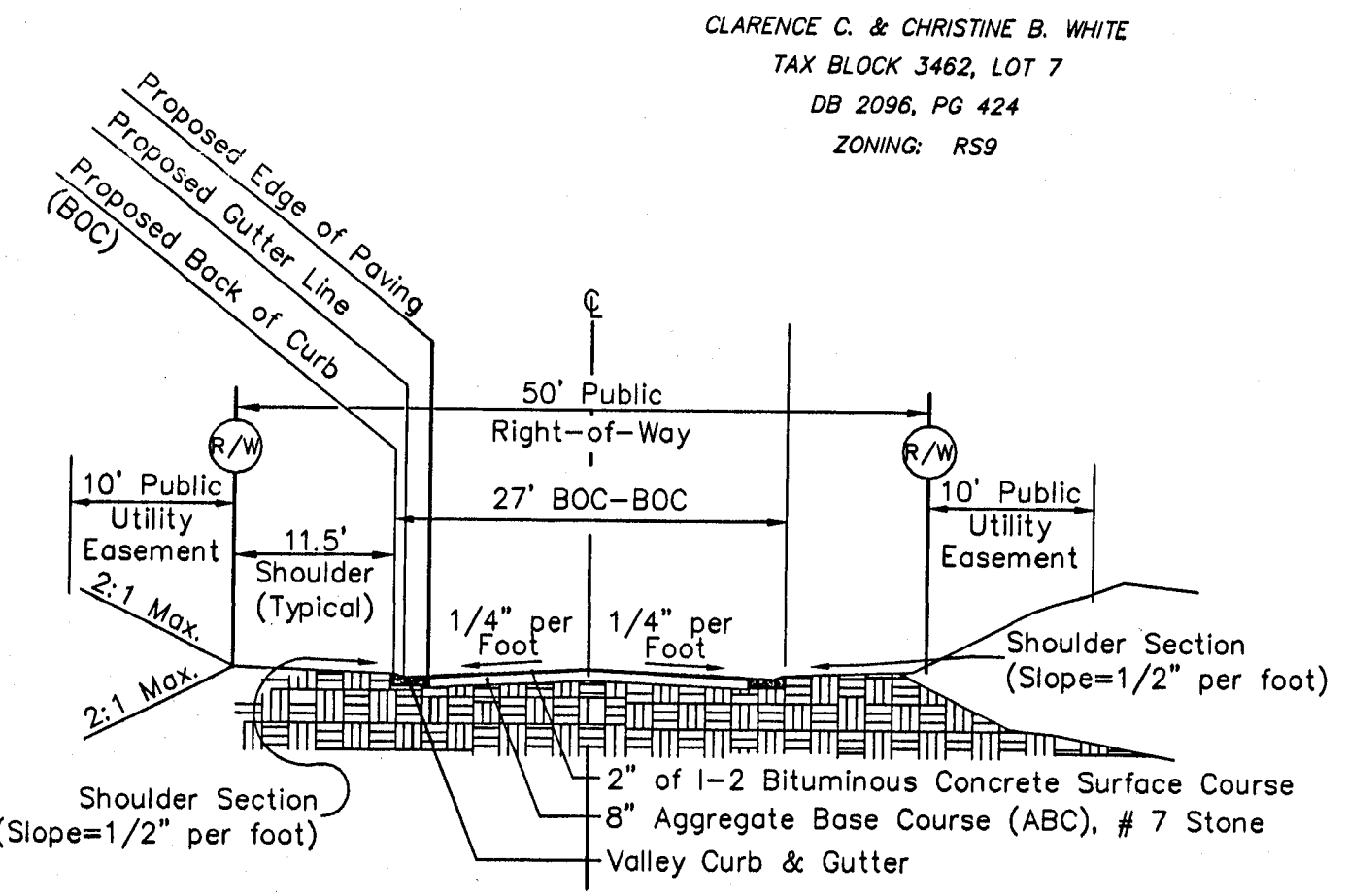
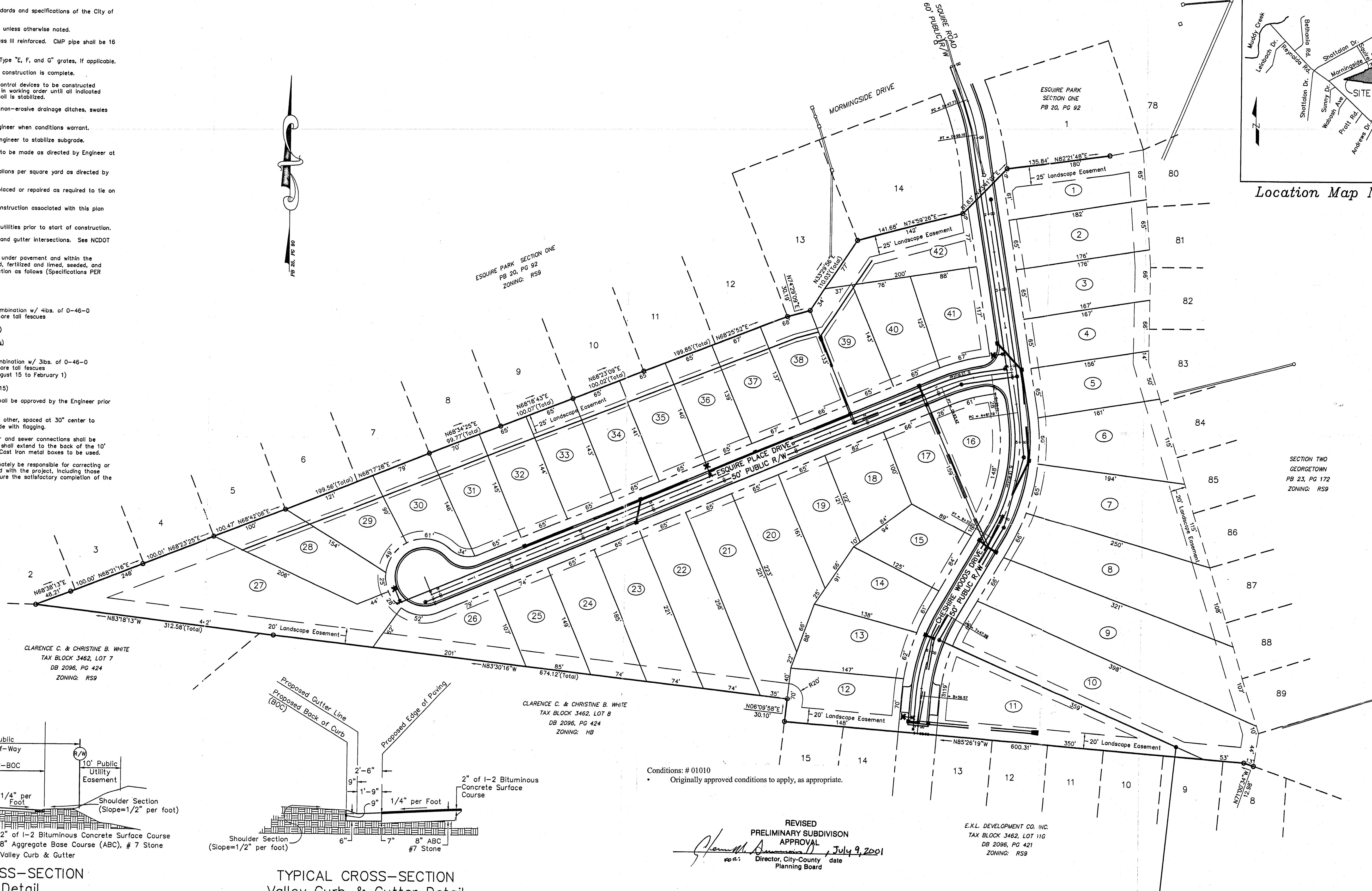


**GENERAL NOTES**

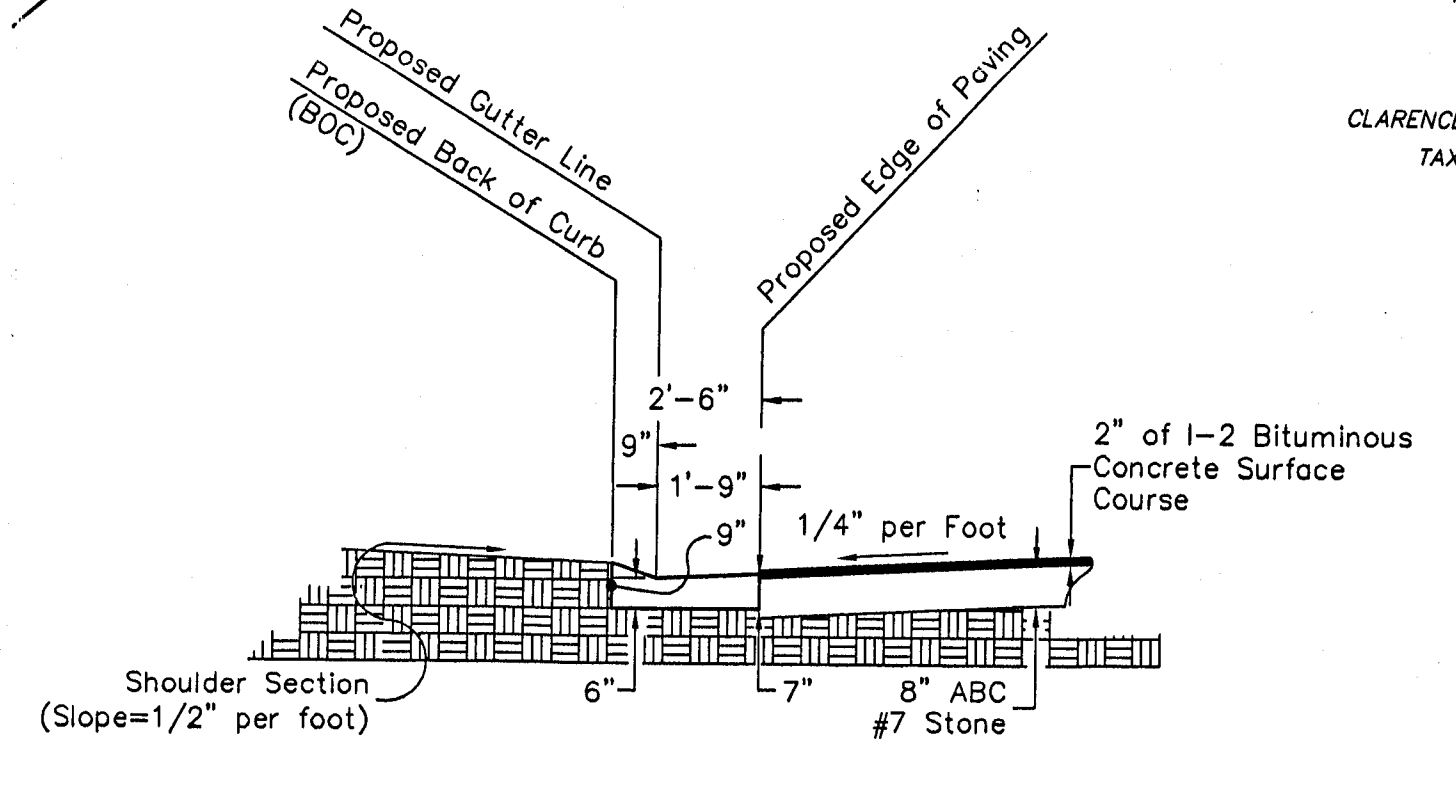
- Materials and workmanship to conform with standards and specifications of the City of Winston-Salem, NC.
- All storm drain pipe shall be reinforced concrete unless otherwise noted.
- Concrete pipe shown on these plans shall be Class III reinforced. CMP pipe shall be 16 GA and shall be fully coated.
- Catch basins are NCDOT standards 840.03 with Type "E, F, and G" grates, if applicable.
- Catch basins to have approved silt barriers until construction is complete.
- All silt dams, fences, basins and other erosion control devices to be constructed according to City and State standards and kept in working order until all indicated construction on the drawings is completed and soil is stabilized.
- Storm drain outfalls shall be released in natural non-erosive drainage ditches, swales or streams.
- Stabilizing stone to be placed as required by Engineer when conditions warrant.
- Under drains to be constructed as required by Engineer to stabilize subgrade.
- Compaction tests by an independent testing lab to be made as directed by Engineer at owner's expense.
- Prime coat is to be applied at a rate of 0.25 gallons per square yard as directed by the City Inspector.
- Existing curb and gutter and pavement to be replaced or repaired as required to tie on to sound material.
- Any required storm drainage construction or reconstruction associated with this plan shall be performed at owner's expense.
- Contractor is responsible for locating all existing utilities prior to start of construction.
- Wheelchair ramps are required for standard curb and gutter intersections. See NCDOT Standard 848.05 Rev. B for ramp construction.
- As a minimum requirement, all graded areas not under pavement and within the right-of-way and/or easements shall be prepared, fertilized and limed, seeded, and mulched immediately upon completion of construction as follows (Specifications PER 1,000 SQUARE FEET):  
Type I Seeding (Lawns or other focal areas)  
 100lbs. of lime  
 20lbs. of 10-20-20 or 20lbs. of 10-10-10 in combination w/ 4lbs. of 0-46-0  
 5lbs. of tall fescue, containing a blend of 2 or more tall fescues  
 1lb. of Kenblue or Kentucky Bluegrass  
 1lb. of winter annual rye (November 1 to March 1)  
Type II Seeding (General or low maintenance areas)  
 100lbs. of lime  
 15lbs. of 10-20-20 or 15lbs. of 10-10-10 in combination w/ 3lbs. of 0-46-0  
 4lbs. of tall fescue, containing a blend of 2 or more tall fescues  
 1lb. of sericea lespedeza (use unscarified seed August 15 to February 1)  
 1/4lb. of German millet (May 1 to August 15)  
 1lb. of rye grain (prior to May 1 or after August 15)  
 Seeding mixtures other than those listed above shall be approved by the Engineer prior to seeding.
- Water and sewer connections shall be beside each other, spaced at 30" center to center and have 2"x 2" stakes placed on each side with flagging.
- For valley curb and gutter streets, hydrants, water and sewer connections shall be placed 5 feet behind the curb. Sewer tail pieces shall extend to the back of the 10' utility easement regardless of cleanout location. Cast iron metal boxes to be used.
- Prior to final acceptance, the developer shall ultimately be responsible for correcting or seeing to the correction of all problems associated with the project, including those items not necessarily covered by the plans, to insure the satisfactory completion of the total project.



Location Map N.T.S.



TYPICAL CROSS-SECTION Street Detail



TYPICAL CROSS-SECTION Valley Curb & Gutter Detail

Conditions: # 01010  
 Originally approved conditions to apply, as appropriate.

REVISED PRELIMINARY SUBDIVISION APPROVAL  
 [Signature] date July 9, 2001  
 Director, City-County Planning Board

E.X.L. DEVELOPMENT CO., INC.  
 TAX BLOCK 3462, LOT 11G  
 DB 2096, PG 421  
 ZONING: RS9

REVISION	DATE	DESCRIPTION

Approval of these water and sanitary sewer plans do not constitute approval for construction. Approval of construction must be a formal written agreement. Failure to obtain such agreement prior to beginning of construction will release the city of any financial participation in this project whatsoever.  
 City of Winston-Salem  
 By: \_\_\_\_\_

UTILITY DESIGN APPROVED		#01010	
<b>Esquire Place</b>			
Ramey Development Corporation P.O. Box 10 Bethania, NC 27010 (336) 922-4000			
CITY ENGINEER	DATE	TAX MAP: 606878 606882	PARCEL: Block 3462, Lot 301
UTILITIES SUPERINTENDENT	DATE	TOWNSHIP: Winston	CITY: Winston-Salem
		COUNTY: Forsyth	STATE: N.C.

Overall Site Plan			
FIELD WORK BY:	CHECKED BY:	DRAWN BY:	
	JBB	RLB	
Horizontal Scale 1" = 60'		SHEET NUMBER:	
		1 of 6	
DATE: 06/29/01	JOB NUMBER: 00215	<b>BEESON ENGINEERING INC.</b> ENGINEERS SURVEYORS PLANNERS 608 BUCH STREET WINSTON-SALEM, NC 27101 TELEPHONE: (336)-746-0071	

Subdivision File Copy