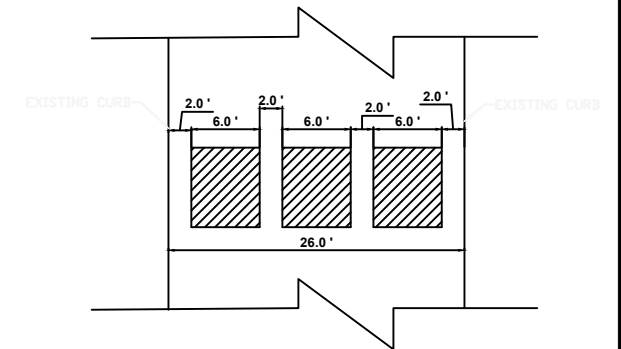
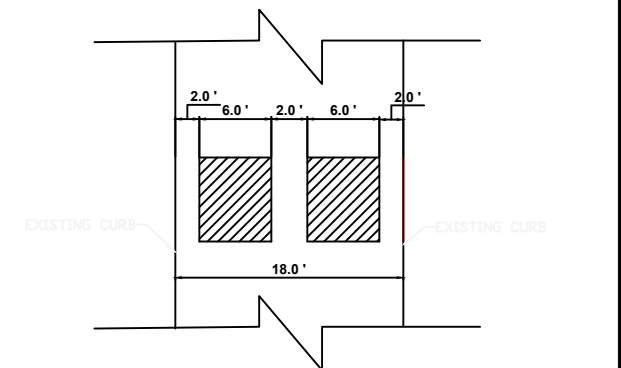


- YES VOTE
- NO VOTE
- NO RESPONSE

- EXISTING 2-WAY STOP
- EXISTING 4-WAY STOP



PROPOSED SPEED CUSHION DETAILS  
NTS



PROPOSED SPEED CUSHION DETAILS  
NTS

**CITY OF WINSTON-SALEM**  
**DEPT. OF TRANSPORTATION**  
 P.O. BOX 2511, WINSTON-SALEM, N.C. 27102  
 PHONE (336) 727-2707 FAX (336) 748-3370

**24 Street & MANCHESTER STREET**  
 TRAFFIC CALMING AND PROPOSED LOCATIONS OF SPEED HUMPS

DIVISION 9	FORSYTH CO.	WINSTON-SALEM	COMPUTER FILE NAME
REVISIONS		SCALE:	E. DEVONSHIRE ST.
DATE	TYPE	BY	STATE INVENTORY NUMBER
		DESIGNED BY: Rodd Ring	
		DATE: 7-2022	
		DRAWN BY: Laura Nixon	SHEET
		DATE: 7-2022	<b>1</b>
		APPROVED BY:	TRAFFIC FILE NUMBER
SEALED BY:	DATE:	DATE:	