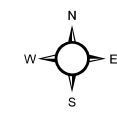


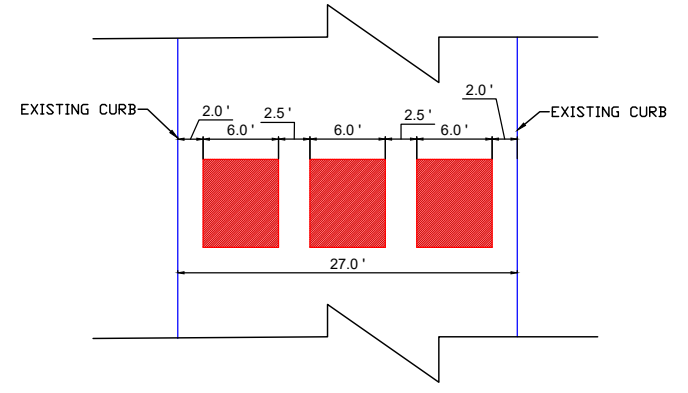
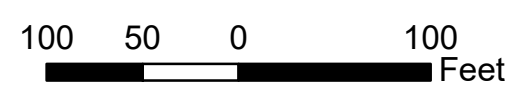
Hattie Avenue Traffic Calming

Legend

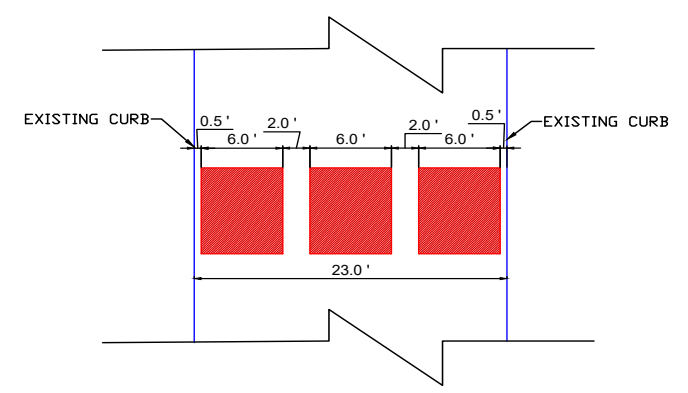
- Proposed Speed Cushions
- Yes - 17
- No - 1
- Did Not Vote - 6



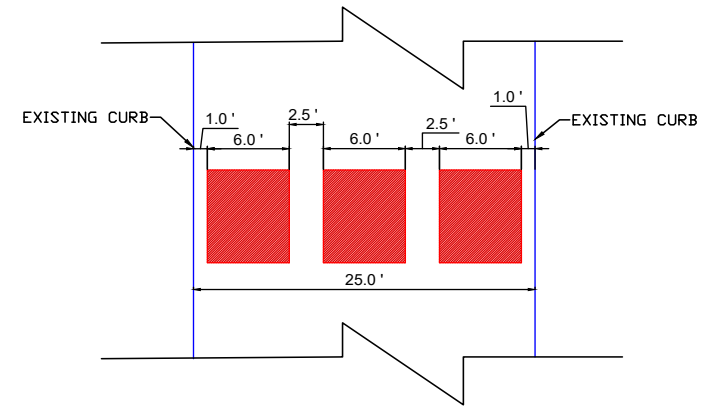
Source: WSDOT
Date: 01/22/21



PROPOSED SPEED CUSHION DETAILS
NTS



PROPOSED SPEED CUSHION DETAILS
NTS



PROPOSED SPEED CUSHION DETAILS
NTS