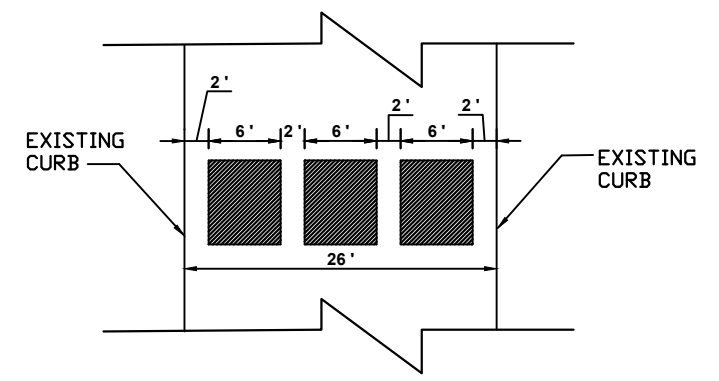




- YES VOTE
- NO VOTE
- NO REPLY



PROPOSED SPEED CUSHION DETAILS
NTS

Winston-Salem

0 SCALE 100
1" = 100'

WOODSVILLE STREET SAFETY IMPROVEMENT PROJECT

Division 9	Forsyth County	Winston-Salem
PLAN DATE: 11/19/2021	REVIEWED BY: ----	
PREPARED BY: LN	REVIEWED BY: ----	
REVISIONS	INT.	DATE