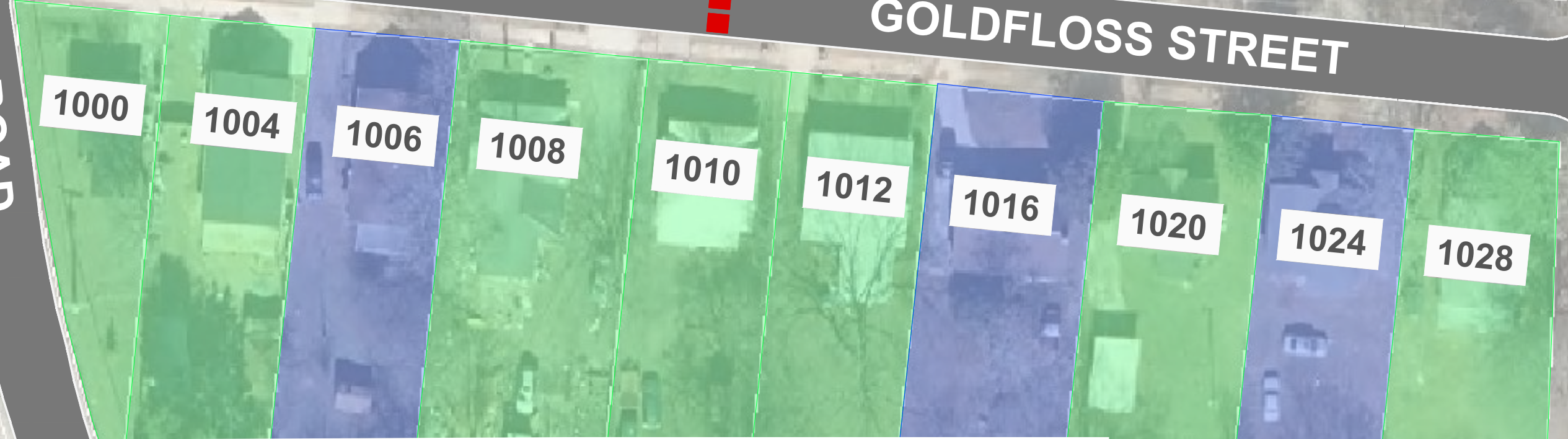
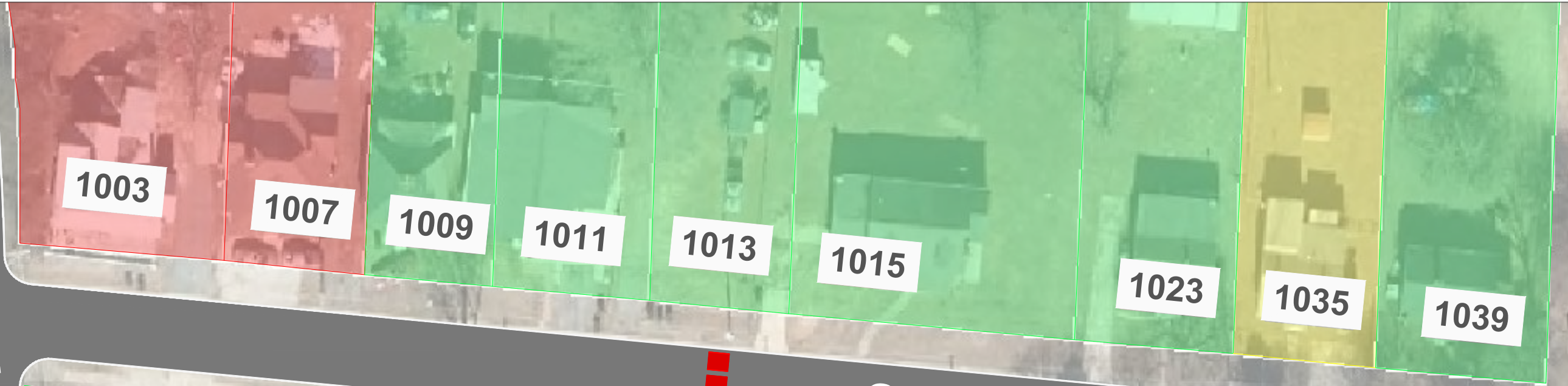
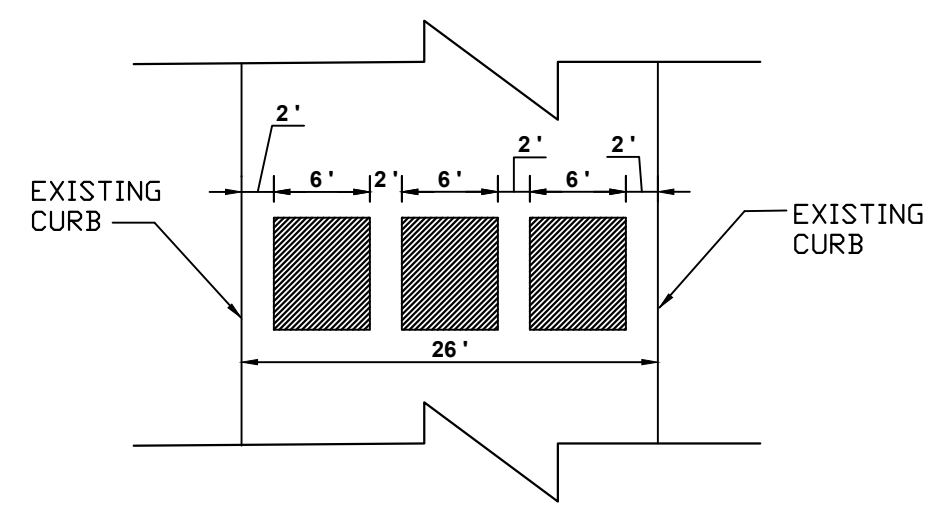


THOMASVILLE ROAD

KENILWORTH AVE.



- LEGEND**
- YES
 - NO
 - ABSENTEE PROPERTY OWNER DID NOT VOTE
 - OWNER DECEASED



PROPOSED SPEED CUSHION DETAILS
NTS

GOLDFLOSS STREET SAFETY IMPROVEMENT PROJECT			
Division 9	Forsyth County	Winston-Salem	
PLAN DATE:	8/11/2021	REVIEWED BY:	----
PREPARED BY:	LN	REVIEWED BY:	----
REVISIONS	INIT.	DATE	

